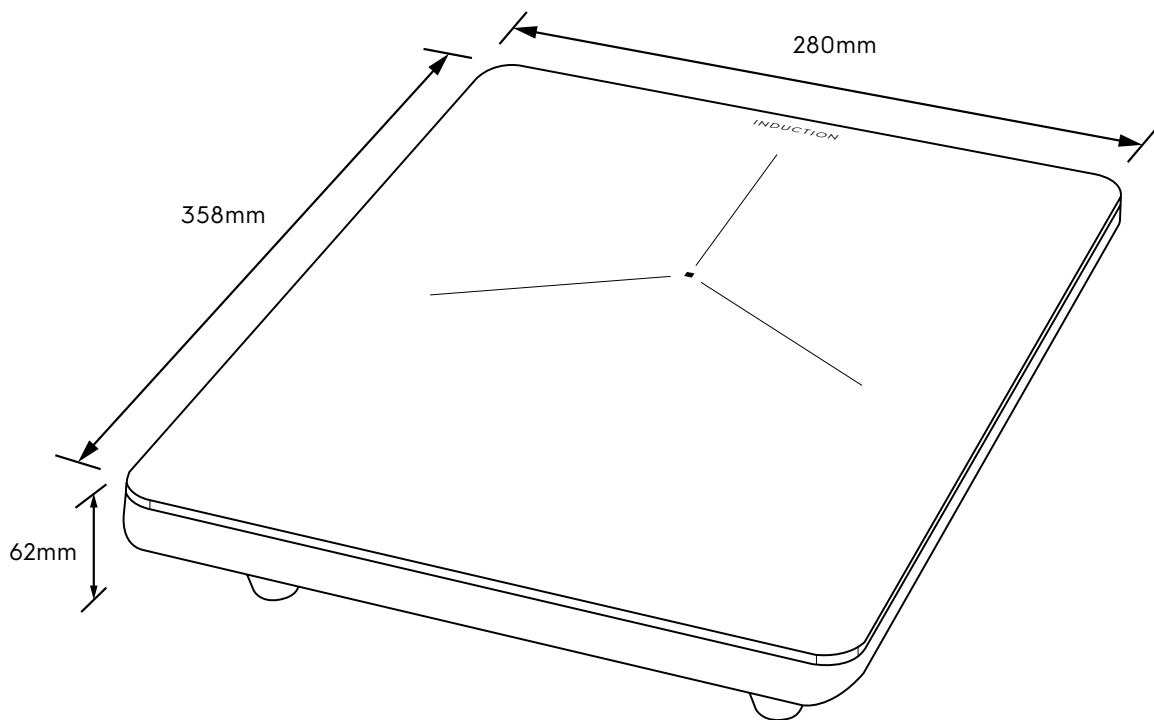


# Dimension Guide

## Freestanding Induction Hob

**Model:**  
ETI29MKC

| Dimensions   |       |        |       |
|--------------|-------|--------|-------|
|              | width | height | depth |
| Product (mm) | 280   | 62     | 358   |



**Please note!** Dimensions to be used as a guide only. All customers MUST refer to the user manual supplied with the product for detailed installation instructions.

© 2023 Electrolux S.E.A PTE. LTD. ELX\_DIM\_ETI29MKC\_Jul23