

Dimension Guide

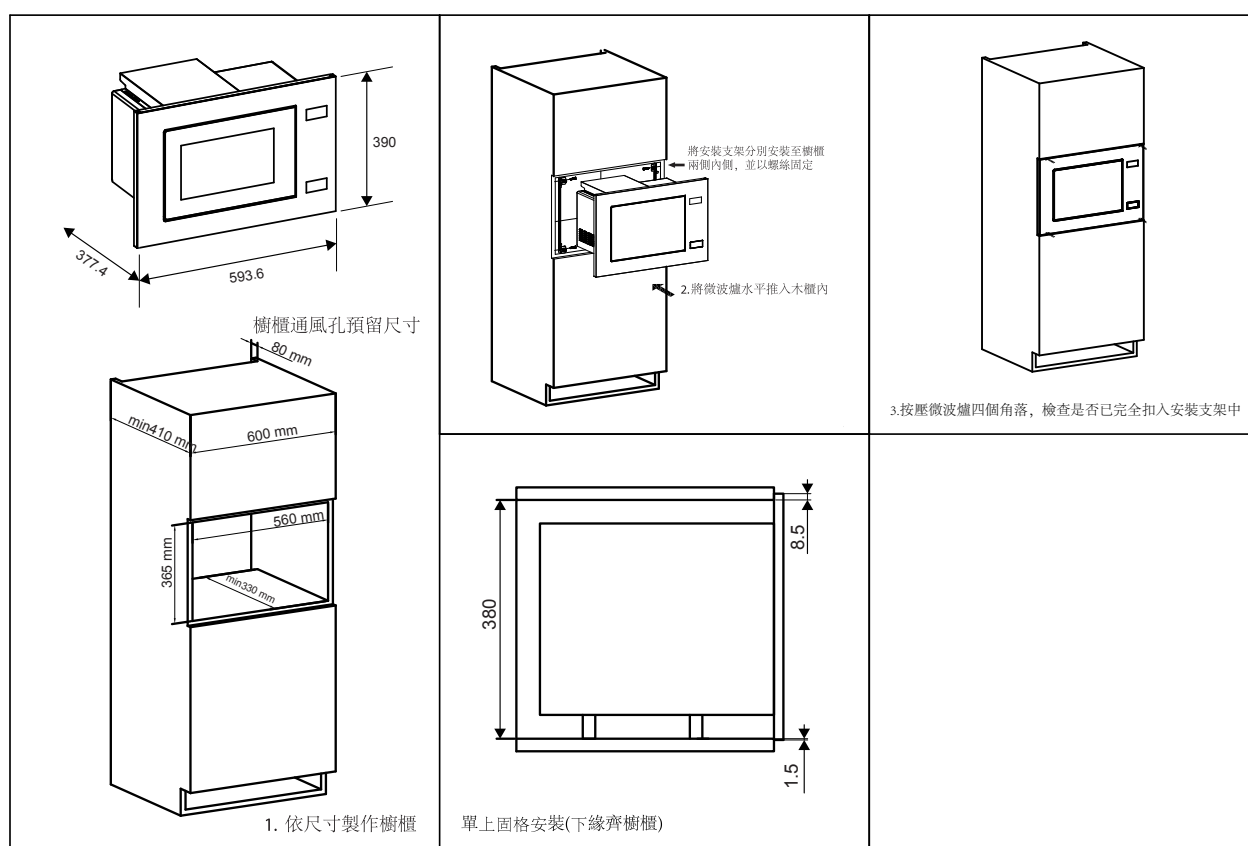
Built-in combination microwave oven

Model:
EMFB25BG

Dimensions

	width	height	depth
Cut-out (mm)	560	365	410
Product (mm)	595	390	377.2

安裝方法一：使用固定支架安裝，單上固格安裝(下緣齊櫥櫃)



Please note! Dimensions to be used as a guide only. All customers MUST refer to the user manual supplied with the product for detailed installation instructions.

© 2026 Electrolux S.E.A PTE. LTD. ELX_DIM_EMFB25BG_Jun26

Dimension Guide

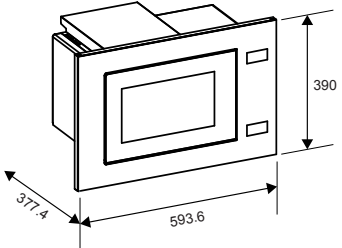
Built-in combination microwave oven

Model:
EMFB25BG

Dimensions

	width	height	depth
Cut-out (mm)	560	365	410
Product (mm)	595	390	377.2

安裝方法二: 使用螺釘並更換短腳安裝, 上下固格安裝

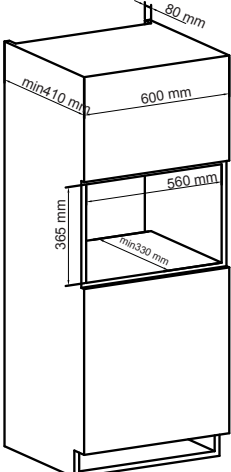


櫥櫃通風孔預留尺寸

377.2

593.6

390



80 mm

min 410 mm

600 mm

560 mm

365 mm

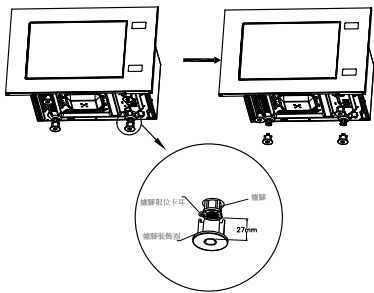
min 330 mm

380 mm

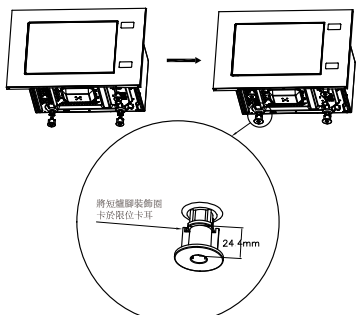
4.85 mm

5.15 mm

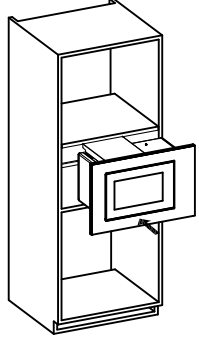
1. 依尺寸製作櫥櫃



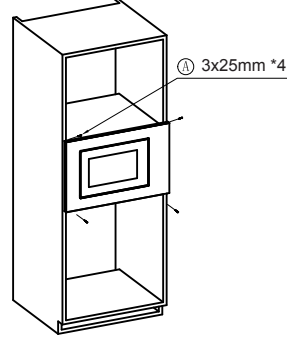
2. 拆卸爐腳裝飾圈時, 需先向內按壓爐腳限位卡耳, 隨後逆時針旋轉爐腳裝飾圈, 直至其脫離並取出。重複上述步驟, 完成全部 4 個爐腳裝飾圈的拆卸。



3. 從零件包中取出短爐腳裝飾圈, 將其安裝於爐腳並順時針方向轉動, 直到短爐腳裝飾圈被爐腳上的限位卡耳卡住, 確認安裝到位。重複上述操作 4 次, 完成短爐腳裝飾圈的安裝。



4. 將機器平推進入櫥櫃中



5. 使用螺釘將機器四角固定於櫥櫃內。

① 3x25mm *4

上下固格安裝 (請使用螺釘安裝並更換短腳配件)

Please note! Dimensions to be used as a guide only. All customers MUST refer to the user manual supplied with the product for detailed installation instructions.

© 2026 Electrolux S.E.A PTE. LTD. ELX_DIM_EMFB25BG_Jun26